

Features

All coils are compatible with R22 or R410A
 All drain pans are compatible with UV lights

EC1P/EM1P

Cased

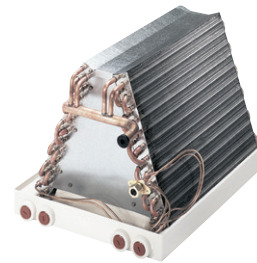
Upflow/Counterflow (EC1P) for application flexibility
 Upflow/Horizontal (EM1P) for application flexibility
 Microban® antimicrobial additive in the drain pan to resist mold and mildew growth
 One of the lowest water retention drain pans in the industry to minimize mold and mildew growth
 Insulated galvanized steel coil case with durable embossed finish
 Interlocking door assemblies and snug line seal grommets to minimize air leakage
 External cabinet mounted distributor body designed for easy changing of orifice sizes and fast TXV connections
 Foil-face insulation for easy cleaning
 Two dual drain connections on front of coil for installation flexibility of drain lines around furnace vent and utility connections
 Side drain pan built in for easy horizontal coil installations (EM1P only)
 Tubing located at door split for easy coil service or coil cleaning



EC1P



EM1P



EU1P



EH1P

EU1P

Uncased

Upflow/Counterflow for application flexibility
 Microban® antimicrobial additive in the drain pan to resist mold and mildew growth
 One of the lowest water retention drain pans in the industry to minimize mold and mildew growth
 Two dual drain connections on front of coil for installation flexibility of drain lines around furnace vent and utility connections
 Orifice assembly designed for easy changing of orifice sizes and fast TXV connections

EH1P

Cased

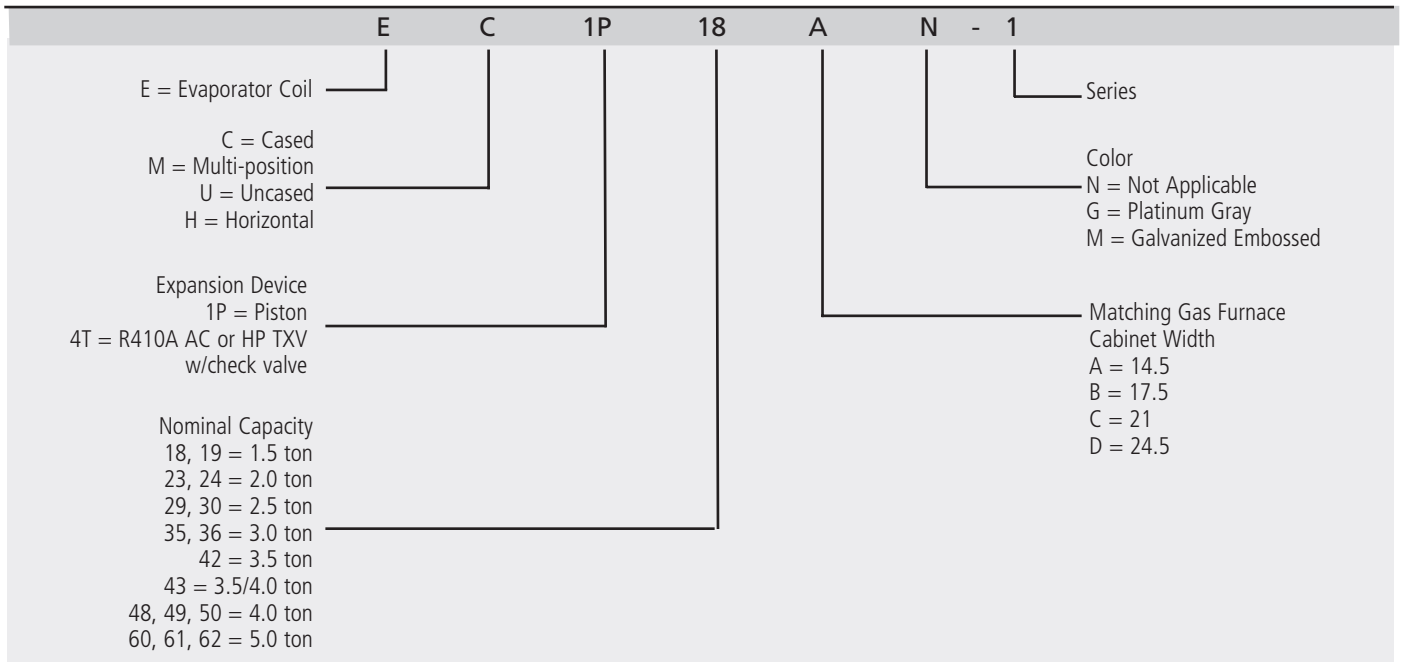
Dedicated horizontal
 Microban® antimicrobial additive in the drain pan to resist mold and mildew growth
 Drain pan has trough to fully drain condensate away
 Insulated galvanized steel coil case with durable embossed finish
 Top, front, and back panels are removable for easy service or coil cleaning
 Dual condensate drains on front and back of coil allows flexibility of placement to accommodate left or right airflow furnaces
 Foil faced insulation for easy cleaning
 Refrigerant connections on top of coil for ease of installation in left or right airflow furnaces

Warranty

10 year limited parts warranty available when applied with a system. See limited warranty document for details.



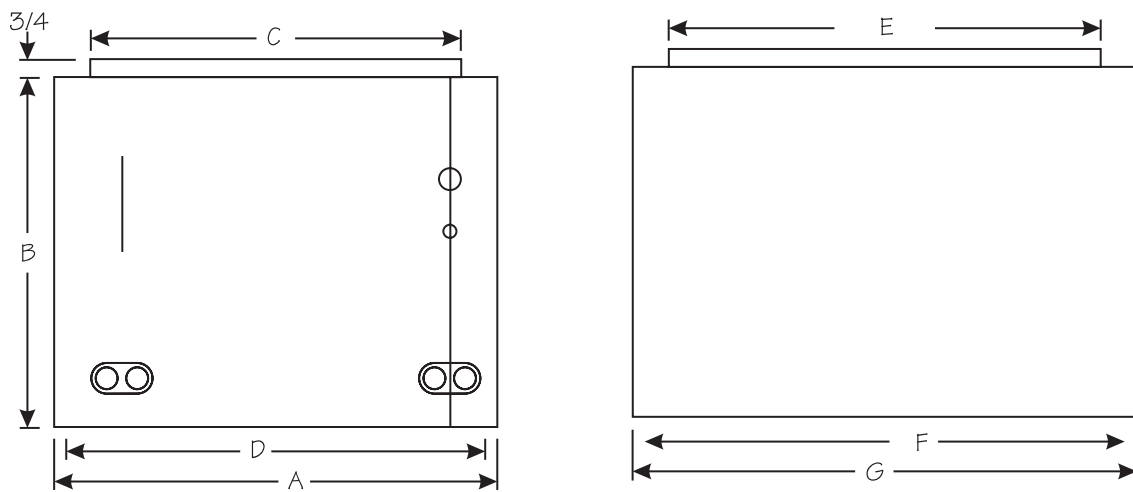
Model Number Guide



Coil Pressure Drop

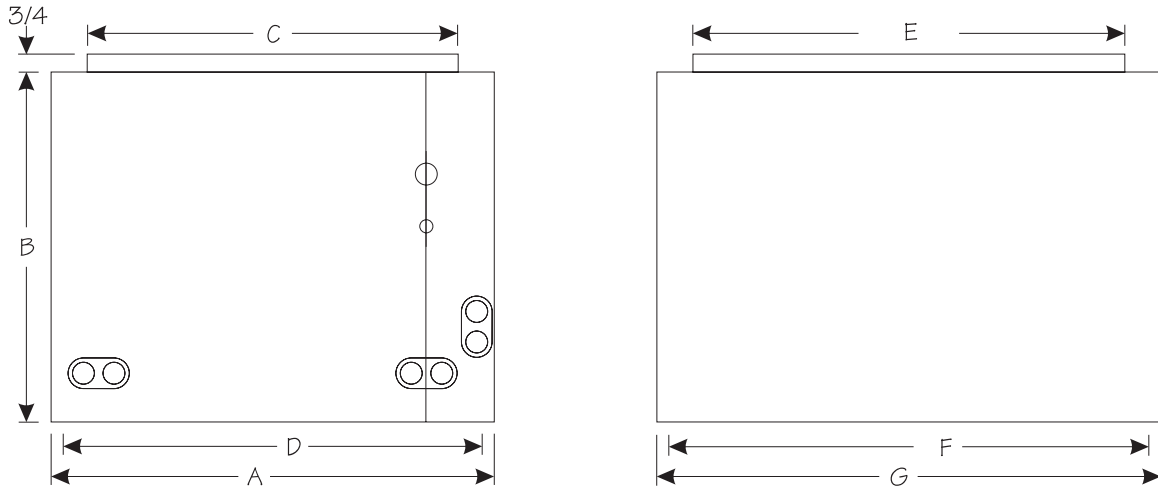
Evaporator	Wet Coil Pressure Drop CFM									
	600	800	1000	1200	1400	1600	1800	2000	2200	2400
E**19A	.09	.16	.24	--	--	--	--	--	--	--
E**18A,B	.17	.25	.39	.52	--	--	--	--	--	--
E**23A	.10	.18	.26	.36	--	--	--	--	--	--
E**23B	.09	.15	.22	.31	--	--	--	--	--	--
E**24A,B	.12	.21	.30	.43	.55	--	--	--	--	--
E**29A	.08	.13	.20	.28	.37	--	--	--	--	--
E**29B	.06	.11	.16	.23	.31	--	--	--	--	--
E**30A	--	.14	.21	.30	.39	.51	--	--	--	--
E**30B,C	--	.11	.16	.21	.28	.34	--	--	--	--
E**36A	--	.14	.21	.30	.39	.51	--	--	--	--
E**36B	--	.11	.16	.21	.28	.34	--	--	--	--
E**36C	--	.06	.11	.17	.23	.29	--	--	--	--
E**43B	--	--	.13	.18	.24	.31	.40	--	--	--
E**43C	--	--	.09	.12	.16	.20	.24	--	--	--
E**48B	--	--	.13	.18	.24	.31	.40	--	--	--
E**48C	--	--	--	.17	.23	.29	.37	.43	--	--
E**49C	--	--	--	.12	.17	.22	.28	.35	--	--
E**50C	--	--	--	.17	.23	.29	.37	.43	--	--
E**60D	--	--	--	--	.15	.18	.21	.27	.32	.37
E**62C	--	--	--	--	.19	.23	.28	.34	.40	.46
E**62D	--	--	--	--	.15	.18	.21	.27	.32	.37

Dimensions - Cased



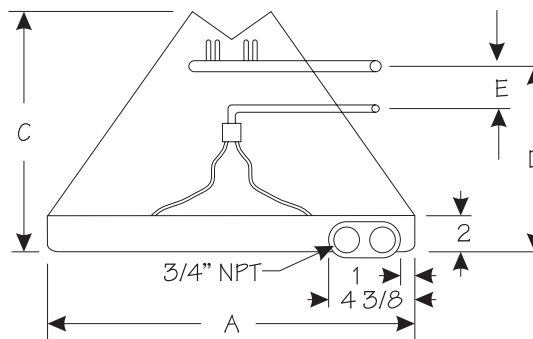
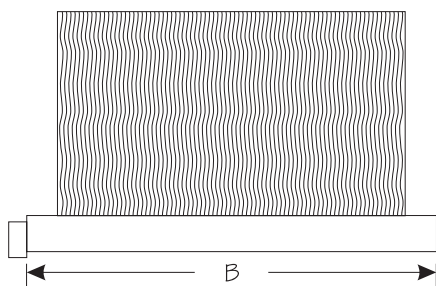
Model	A (in.)	B (in.)	C (in.)	D (in.)	E (in.)	F (in.)	G (in.)	Orifice	Refrigerant Connections		Weight (lbs.)
									Liquid (in.)	Vapor (in.)	
EC1P18AM	14-1/2	16-1/2	13	13-1/2	18	20-1/2	21	.051	3/8	3/4	31
EC1P19AM	14-1/2	16-1/2	13	13-1/2	18	20-1/2	21	.051	3/8	3/4	35
EC1P23AM	14-1/2	18-1/2	13	13-1/2	18	20-1/2	21	.057	3/8	3/4	39
EC1P23BM	17-1/2	18-1/2	16	16-1/2	18	20-1/2	21	.057	3/8	3/4	41
EC1P24AM	14-1/2	20-1/2	13	13-1/2	18	20-1/2	21	.057	3/8	3/4	37
EC1P29AM	14-1/2	25-1/2	13	13-1/2	18	20-1/2	21	.065	3/8	3/4	47
EC1P30AM	14-1/2	24-1/2	13	13-1/2	18	20-1/2	21	.065	3/8	3/4	45
EC1P30BM	17-1/2	24-1/2	16	16-1/2	18	20-1/2	21	.065	3/8	3/4	46
EC1P36AM	14-1/2	24-1/2	13	13-1/2	18	20-1/2	21	.073	3/8	3/4	49
EC1P36BM	17-1/2	24-1/2	16	16-1/2	18	20-1/2	21	.073	3/8	3/4	51
EC1P36CM	21	24-1/2	19-1/2	20	18	20-1/2	21	.073	3/8	3/4	55
EC1P43BM	17-1/2	29-1/2	16	16-1/2	18	20-1/2	21	.076	3/8	7/8	60
EC1P43CM	21	29-1/2	19-1/2	20	18	20-1/2	21	.076	3/8	7/8	63
EC1P48BM	17-1/2	24-1/2	16	16-1/2	18	20-1/2	21	.082	3/8	7/8	52
EC1P48CM	21	24-1/2	19-1/2	20	18	20-1/2	21	.082	3/8	7/8	55
EC1P49CM	21	29-1/2	19-1/2	20	19	21-1/2	22	.093	3/8	7/8	72
EC1P50CM	21	27-1/2	19-1/2	20	18	20-1/2	21	.082	3/8	7/8	66
EC1P59DM	25-1/2	28-1/2	24	24-1/2	18	20-1/2	21	.090	3/8	7/8	76
EC1P60DM	24-1/2	25-1/2	23	23-1/2	18	20-1/2	21	.093	3/8	7/8	66
EC1P62CM	21	31-1/2	19-1/2	20	19	21-1/2	22	.093	3/8	7/8	76
EC1P62DM	24-1/2	29-1/2	23	23-1/2	18	20-1/2	21	.093	3/8	7/8	77

Dimensions - Multi-Position



Model	A (in.)	B (in.)	C (in.)	D (in.)	E (in.)	F (in.)	G (in.)	Orifice	Refrigerant Connections		Weight (lbs.)
									Liquid (in.)	Vapor (in.)	
EM1P18AM	14-1/2	25-1/2	13	13-1/2	19-1/2	20-1/2	21	.051	3/8	3/4	45
EM1P19AM	14-1/2	25-1/2	13	13-1/2	19-1/2	20-1/2	21	.051	3/8	3/4	33
EM1P23AM	14-1/2	25-1/2	13	13-1/2	19-1/2	20-1/2	21	.057	3/8	3/4	40
EM1P23BM	17-1/2	25-1/2	16	16-1/2	19-1/2	20-1/2	21	.057	3/8	3/4	40
EM1P24AM	14-1/2	25-1/2	13	13-1/2	19-1/2	20-1/2	21	.057	3/8	3/4	42
EM1P24BM	17-1/2	25-1/2	16	16-1/2	19-1/2	20-1/2	21	.057	3/8	3/4	42
EM1P29AM	14-1/2	25-1/2	13	13-1/2	19-1/2	20-1/2	21	.065	3/8	3/4	40
EM1P29BM	17-1/2	25-1/2	16	16-1/2	19-1/2	20-1/2	21	.065	3/8	3/4	41
EM1P30AM	14-1/2	25-1/2	13	13-1/2	19-1/2	20-1/2	21	.065	3/8	3/4	42
EM1P30BM	17-1/2	25-1/2	16	16-1/2	19-1/2	20-1/2	21	.065	3/8	3/4	42
EM1P36AM	14-1/2	25-1/2	13	13-1/2	19-1/2	20-1/2	21	.073	3/8	3/4	57
EM1P36BM	17-1/2	25-1/2	16	16-1/2	19-1/2	20-1/2	21	.073	3/8	3/4	57
EM1P36CM	21	25-1/2	19-1/2	20	19-1/2	20-1/2	21	.073	3/8	7/8	57
EM1P43BM	17-1/2	27-1/2	16	16-1/2	19-1/2	20-1/2	21	.076	3/8	7/8	45
EM1P43CM	21	27-1/2	19-1/2	20	19-1/2	20-1/2	21	.076	3/8	7/8	45
EM1P48BM	17-1/2	25-1/2	16	16-1/2	19-1/2	20-1/2	21	.082	3/8	7/8	48
EM1P48CM	21	25-1/2	19-1/2	20	19-1/2	20-1/2	21	.082	3/8	7/8	48
EM1P50CM	21	27-1/2	19-1/2	20	19-1/2	20-1/2	21	.082	3/8	7/8	77

Dimensions - Uncased

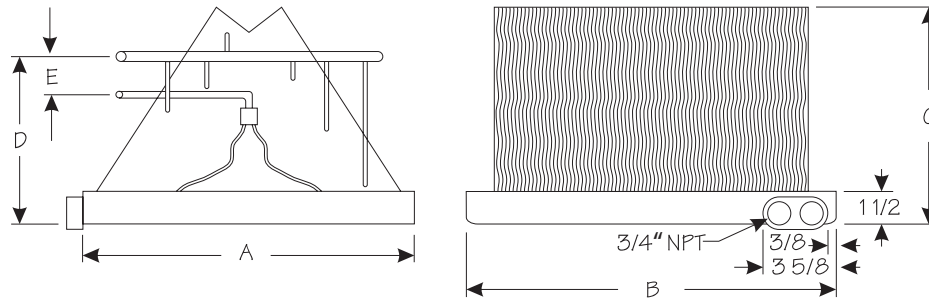


Model	A (in.)	B (in.)	C (in.)	D (in.)	E (in.)	Orifice	Refrigerant Connections		Weight (lbs.)
							Liquid (in.)	Vapor (in.)	
EU1P18AN	13	19-1/2	15	9-1/2	4-1/2	.051	3/8	3/4	18
EU1P19AN	13	19-1/2	15-1/8	9-1/2	4-1/2	.051	3/8	3/4	19
EU1P23AN	13	19-1/2	17-3/16	12-1/2	4-1/2	.057	3/8	3/4	22
EU1P24AN	13	19-1/2	19-3/16	14-1/2	6	.057	3/8	3/4	22
EU1P24BN	15-1/2	19-1/2	18-3/4	14-1/2	6	.057	3/8	3/4	23
EU1P29AN	13	19-1/2	21-1/4	17-1/4	6-1/2	.065	3/8	3/4	24
EU1P29BN	15-1/2	19-1/2	21-1/4	17-1/4	6-1/2	.065	3/8	3/4	25
EU1P30AN	13	19-1/2	23-1/4	17-1/4	6-1/2	.065	3/8	3/4	26
EU1P30BN	15-1/2	19-1/2	23	17-1/4	6-1/2	.065	3/8	3/4	27
EU1P30CN	20	19-1/2	22-1/4	17-1/4	6-1/2	.065	3/8	3/4	29
EU1P36AN	13	19-1/2	23-3/8	17-1/4	6-1/2	.073	3/8	3/4	31
EU1P36BN	15-1/2	19-1/2	23-1/8	17-1/4	6-1/2	.073	3/8	3/4	33
EU1P36CN	20	19-1/2	22-1/2	17-1/4	4-1/2	.073	3/8	3/4	34
EU1P43BN	15-1/2	19-1/2	27-1/4	23-1/4	5-1/2	.076	3/8	7/8	43
EU1P43CN	20	19-1/2	26-3/4	23-1/4	5-1/2	.076	3/8	7/8	44
EU1P48BN	15-1/2	19-1/2	23-1/8	9-1/4	4-1/2	0.82	3/8	7/8	33
EU1P48CN	20	19-1/2	22-1/2	9-1/4	4-1/2	0.82	3/8	7/8	35
EU1P49CN	19-1/2	21-1/2	28-5/8	15	*3	0.93	3/8	7/8	53
EU1P50CN	20	19-1/2	26-3/4	23-1/4	5-1/2	0.82	3/8	7/8	40
EU1P62CN	19-1/2	21-1/2	30-5/8	18-1/8	*3	0.93	3/8	7/8	58

* Suction line is above liquid line.

Dimensions - Uncased continued on next page

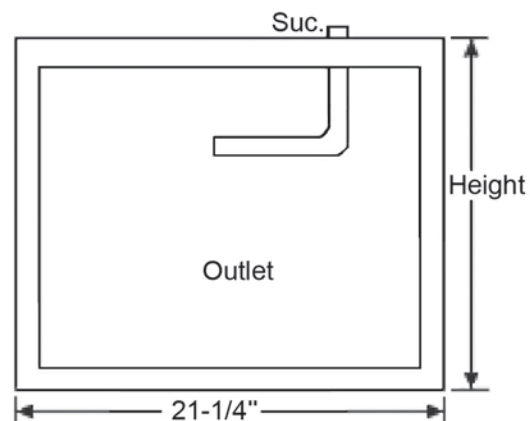
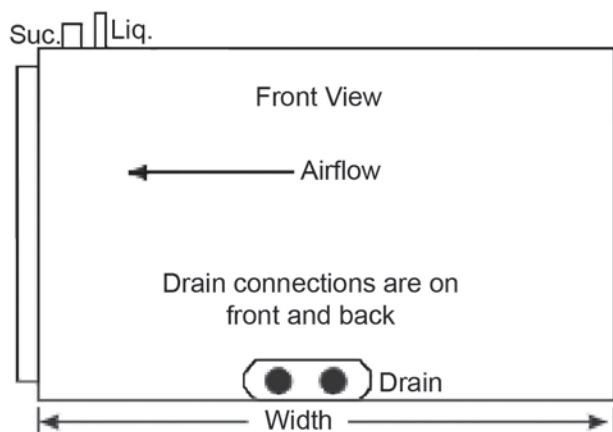
Dimensions - Uncased (continued)



Model	A (in.)	B (in.)	C (in.)	D (in.)	E (in.)	Orifice	Refrigerant Connections		Weight (lbs.)
							Liquid (in.)	Vapor (in.)	
EU1P59DN	25-1/8	20	24-1/2	16-3/4	5	.090	3/8	7/8	49
EU1P60DN	23	19-1/2	24	11-3/8	*3	.093	3/8	7/8	42
EU1P62DN	23	19-1/2	28-1/8	18-1/4	4-5/8	.093	3/8	7/8	48

* Liquid line is located above suction line.

Dimensions - Horizontal



Model	Height	Width	Supply		Return		Weight (lbs.)	Orifice	Liquid	Vapor
			Height	Width	Height	Width				
EH1P19AM-1	14-1/2	26-1/2	13	19-3/4	13-1/2	20	38	.051	3/8	3/4
EH1P18BM-1	17-1/2	26-1/2	16	19-3/4	16-1/2	20	50	.051	3/8	3/4
EH1P29AM-1	14-1/2	31-1/2	13	19-3/4	13-1/2	20-1/4	56	.065	3/8	3/4
EH1P29BM-1	17-1/2	26-1/2	16	19-3/4	16-1/2	20	45	.065	3/8	3/4
EH1P36BM-1	17-1/2	26-1/2	16	19-3/4	16-1/2	20	56	.073	3/8	3/4
EH1P36CM-1	21	26-1/2	19-1/2	19-3/4	20	20	64	.073	3/8	3/4
EH1P43BM-1	17-1/2	31-1/2	16	19-3/4	16-1/2	20-1/4	52	.076	3/8	7/8
EH1P43CM-1	21	26-1/2	19-1/2	19-3/4	20	20	56	.076	3/8	7/8
EH1P49CM-1	21	31-1/2	19-1/2	19-3/4	20	20-1/4	58	.093	3/8	7/8
EH1P49DM-1	24-1/2	31-1/2	23	19-3/4	23-1/2	20-1/4	66	.090	3/8	7/8
EH1P62CM-1	21	31-1/2	19-1/2	19-3/4	20	20-1/4	63	.093	3/8	7/8
EH1P62DM-1	24-1/2	31-1/2	23	19-3/4	23-1/2	20-1/4	63	.093	3/8	7/8



(800) 448-5872
www.armstrongair.com

All specifications and illustrations
subject to change without notice
and without incurring obligations.