



For use in large homes, multi-family residences, small businesses and office complexes.



## 16 SERIES

COMMERCIAL, GAS  
FIRED, ATMOSPHERIC  
HOT WATER BOILER

### 16 Series Features

- ✓ **FIVE SIZES FROM 325,000 TO 585,000 BTU INPUT**
- ✓ **YOUR CHOICE OF NATURAL OR LP GAS**
- ✓ **CAN BE PIPED TOGETHER FOR LARGER INSTALLATIONS**
- ✓ **CAST IRON SECTIONS AND PUSH NIPPLES FOR LONG LIFE**
- ✓ **CAN BE INSTALLED ON COMBUSTIBLE FLOORS WITH AN OPTIONAL BASE**
- ✓ **CONTROLS UNDER JACKET FOR SECURITY AND A CLEAN APPEARANCE**
- ✓ **ATMOSPHERIC DESIGN PROVIDES SMOOTH LIGHT-OFF AND QUIET OPERATION**
- ✓ **STANDARD SAFETY SWITCHES WILL SHUT DOWN THE BOILER IF THE CHIMNEY OR VENTING SYSTEM BECOMES BLOCKED OR RESTRICTED**
- ✓ **COMPACT DESIGN WILL FIT THROUGH EXISTING DOORWAYS**
- ✓ **TOP MOUNTED DRAFT HOOD**

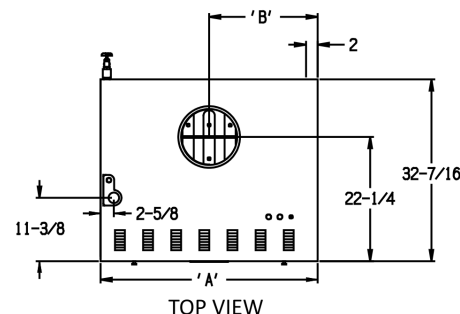
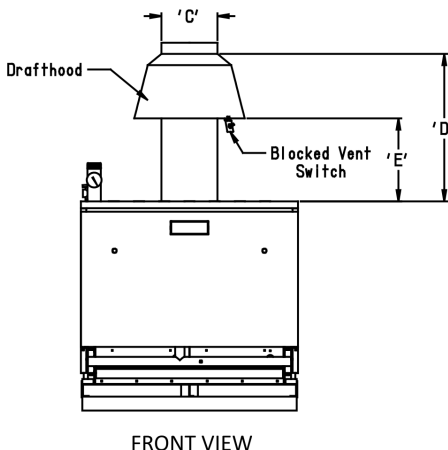
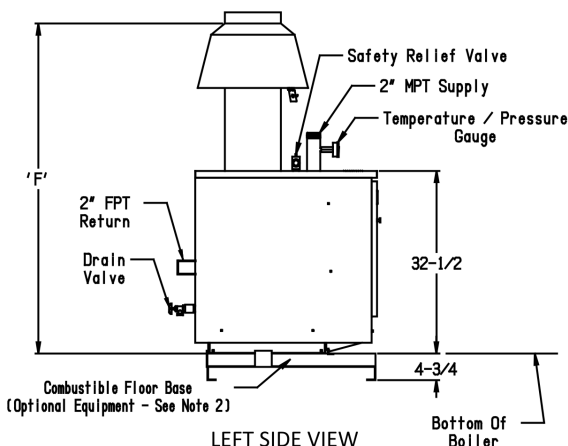




Constructed and tested in accordance with ASME Section IV

# 16 SERIES TECHNICAL INFORMATION

## DIMENSIONS



### NOTES:

- Not for direct installation on combustible flooring. A heat shield is required and available for installation on combustible floors and on concrete floors which are over a material that is subject to melting (PVC, PEX Radiant Tubing, etc.). Not for installation on carpet even with a heat shield.
- External draft hood supplied - may not be cut or altered.

BOILER MODEL NO.	"A"	"B"	"C"	"D"	"E"	"F"
16-325	23-3/4"	11-7/8"	8"	27-13/16"	18"	60-5/16"
16-390	27-1/2"	13-3/4"	9"	28-13/16"	18"	61-5/16"
16-455	31-1/4"	15-5/8"	9"	30-13/16"	20"	63-5/16"
16-520	35"	17-1/2"	10"	33-1/2"	22"	66"
16-585	38-3/4"	19-3/8"	10"	33-1/2"	22"	66"

### OPTIONAL EQUIPMENT

- Base for installation on combustible floors
- CSD-1 control system
- 50 PSI safety relief valve
- Vent damper

## SPECIFICATIONS

BOILER MODEL NO.	NO. OF SECTIONS	NATURAL OR LP GAS			WATER CONTENT (GALLONS)
		INPUT (BTUH)	D.O.E. HEATING CAPACITY (BTUH)	IBR NET RATING WATER (BTUH)	
16-325	6	325,000	260,000	226,000	13.9
16-390	7	390,000	312,000	271,000	15.9
16-455	8	455,000	364,000	317,000	17.9
16-520	9	520,000	416,000	362,000	19.9
16-585	10	585,000	468,000	407,000	21.9

### NOTES:

- Ratings shown are for installations at sea level and elevations up to 2,000 feet. For elevations above 2,000 feet, ratings should be reduced at the rate of 4% for each 1,000 feet above sea level.
- When ordering, use suffix EN for natural gas with electronic ignition and EL for LP gas with electric ignition.
- Net I=B=R piping and pickup allowance of 1.15. Consult the manufacturer for installations having unusual piping pickup requirements such as intermittent system of operation, extensive piping systems, etc.
- Maximum allowable working pressure is 50 PSI.



**CrownBoiler.com**  
PHILADELPHIA, PA