



# MGE4 Gas Heating / Electric Cooling Packaged Thru-the-Wall Units

Form No.: MGE4-100 (07/2010)

## FEATURES

- Up to 10.6 EER cooling efficiency
- Completely self-contained heating and cooling package
  - No outside condensing unit
  - No external refrigerant lines
  - No separate cooling coil
  - No separate venting system
- Pre-wired and pre-charged
- Individually metered and controlled
- Easy service access
- Louver color options to match building facade
- Internal vent system (direct vent)

## REFRIGERANT SYSTEM

- R410A Refrigerant
- High efficiency compressor
- Copper tubing with enhanced fin coils

## HEAT EXCHANGER

- Standard aluminized steel heat exchanger
- Optional 409 stainless steel heat exchanger

## CABINET

- Fully insulated cabinet for quiet operation

## BLOWER

- Four-speed permanently lubricated motor for low maintenance, maximum efficiency and wide airflow range
- PSC permanently lubricated motor for low maintenance and maximum efficiency
- Dynamically balanced blower with resilient motor mounts for smooth and quiet operation
- Internal washable filter

## CONTROLS

- Color coded wiring for easy service
- Fuse protection on 24V circuit

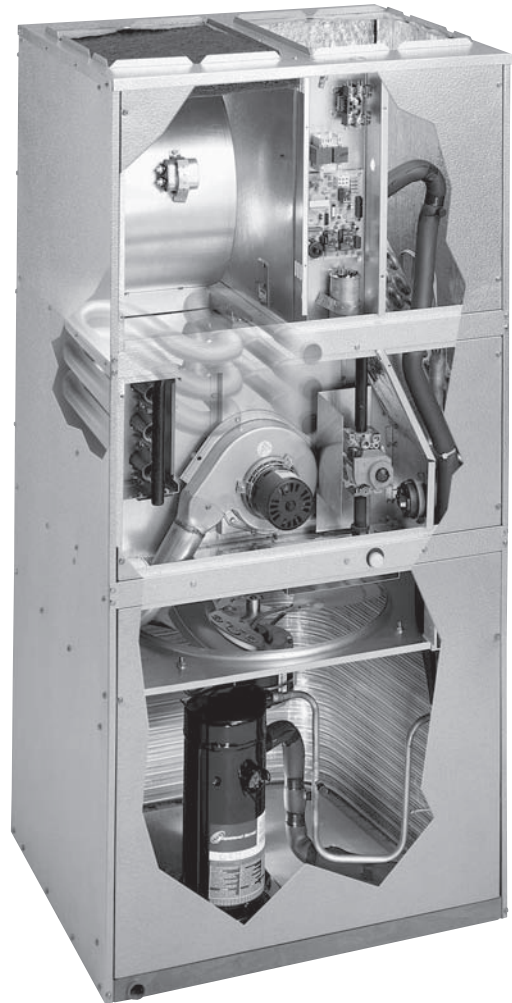
## INSTALLATION

- Easy to install and service
- Louver mounts flush to outside wall

## WARRANTY

- 5 year limited warranty on all parts
- 10 year warranty on aluminized heat exchanger
- 20 year warranty on stainless steel heat exchanger

## MGE4



## Model Number Guide

36		M	GE	4	09	18	1	N	-	P	1
Rated Input - BTU/HR x 1,000	36-36,000 Btuh										Revision Code
	48-48,000 Btuh										P - 208/230v/60hz/1
	60-60,000 Btuh										N - 409 Stainless Steel Heat Exchanger
		Magic-Pak									L - Low NOx
			GE - Gas/Electric								Series
				4 - R410A Refrigerant							Nominal Cooling Capacity
					09 - Standard Efficiency						12 - 12,000 Btuh
					10 - High Efficiency						18 - 18,000 Btuh
											24 - 24,000 Btuh
											30 - 30,000 Btuh
											36 - 36,000 Btuh

## Electrical and Physical Data

Model	Voltage/ Hz/ Phase	Voltage Range	Min. Circuit Amps	Max. Fuse/ HACR Brkr.	Compressor		Outside Fan				Indoor Blower			R410A Refrig. Charge (oz.)	Weight (lbs.)
					Rated Load Amps	Locked Rotor Amps	Dia. (in.)	Nom. RPM	Rated Load Amps	Rated HP	Wheel dia. x width (in.)	Rated Load Amps	Rated HP		
36MGE4-09-121P	208-230/60/1	197 - 253	11	15	6.8	45	16	1075	0.9	1/8	9 x 6	1.6	1/4	42	280
36MGE4-09-181P	208-230/60/1	197 - 253	15	20	9.6	43	18	1075	0.9	1/8	9 x 6	1.6	1/4	42	280
48MGE4-09-181P															
60MGE4-09-181P															
36MGE4-09-241P	208-230/60/1	197 - 253	20	30	13.5	58	18	1075	0.9	1/8	9 x 6	1.6	1/4	53	290
48MGE4-09-241P															
60MGE4-09-241P															
36MGE4-09-301P	208-230/60/1	197 - 253	22	30	14.1	73	18	1075	1.6	1/4	9x7	1.9	1/3	61	305
48MGE4-09-301P															
60MGE4-09-301P															
36MGE4-09-361	208-230/60/1	197 - 253	26	35	17.9	112	18	1075	1.6	1/4	9x7	1.9	1/3	101	350
48MGE4-09-361															
60MGE4-09-361															
36MGE4-10-181P	208-230/60/1	197 - 253	15	20	9.6	43	18	1075	0.9	1/8	9 x 6	1.6	1/4	68	230
48MGE4-10-181P															
60MGE4-10-181P															
36MGE4-10-241P	208-230/60/1	197 - 253	20	30	13.5	58	16	1075	0.9	1/8	9x6	1.6	1/4	83	235
48MGE4-10-241P															
60MGE4-10-241P															
36MGE4-10-301P	208-230/60/1	197 - 253	22	35	14.1	73	18	1075	1.6	1/4	9x7	1.9	1/3	93	255
48MGE4-10-301P															
60MGE4-10-301P															

## Blower Performance

Model	Blower Speed	CFM @ ext. static pressure - in. w.c. with filter				
		0.1	0.2	0.3	0.4	0.5
MGE4-09-121P	Low	620	495	470	430	370
	Medium Low	685	655	600	540	490
	Medium High	755	715	660	595	610
	High	875	770	710	640	575
MGE4-09-181P	Low	500	470	435	390	370
	Medium Low	670	640	575	520	460
	Medium High	750	690	645	575	490
	High	795	740	680	616	535
MGE4-09-241P	Low	650	630	610	580	550
	Medium Low	945	900	860	810	775
	Medium High	1010	960	910	870	800
	High	1090	1030	980	930	880
MGE4-09-301P	Low	640	620	600	575	540
	Medium Low	940	890	860	820	785
	Medium High	1000	960	910	875	820
	High	1110	1060	1010	960	915
MGE4-09-361P	Low	640	620	600	575	540
	Medium Low	940	890	860	820	785
	Medium High	1000	960	910	875	820
	High	1110	1060	1010	960	915
MGE4-10-181P	Low	500	470	435	390	370
	Medium Low	670	640	575	520	460
	Medium High	750	690	645	575	490
	High	795	740	680	616	535
MGE4-10-241P	Low	630	610	590	560	520
	Medium Low	905	870	830	780	735
	Medium High	955	905	860	815	770
	High	1040	990	935	890	835
MGE4-10-301P	Low	640	620	600	575	540
	Medium Low	940	890	860	820	785
	Medium High	1000	960	910	875	820
	High	1110	1060	1010	960	915

## Performance

Model	Cooling			CFM	Heating		
	Btuh	EER	S/T		Input	Output	AFUE
					Btuh	Btuh	
36MGE4-09-121P	12,000	9.00	.74	400	36,000	28,000	80%
36MGE4-09-181P	17,600	9.00	.74	600	36,000	28,800	80%
48MGE4-09-181P					48,000	38,400	
60MGE4-09-181P					60,000	48,000	
36MGE4-09-241P	22,800	9.00	.77	800	36,000	28,800	80%
48MGE4-09-241P					48,000	38,400	
60MGE4-09-241P					60,000	48,000	
36MGE4-09-301P	27,600	9.00	.80	1000	36,000	28,800	80%
48MGE4-09-301P					48,000	38,400	
60MGE4-09-301P					60,000	48,000	
36MGE4-09-361P	35,000	9.00	.72	1050	36,000	28,800	80%
48MGE4-09-361P					48,000	38,400	
60MGE4-09-361P					60,000	48,000	
36MGE4-10-181P	18,000	10.60	.72	600	36,000	28,800	80%
48MGE4-10-181P					48,000	38,400	
60MGE4-10-181P					60,000	48,000	
36MGE4-10-241P	23,000	10.40	.74	800	36,000	28,800	80%
48MGE4-10-241P					48,000	38,400	
60MGE4-10-241P					60,000	48,000	
36MGE4-10-301P	28,800	10.00	.78	1000	36,000	28,800	80%
48MGE4-10-301P					48,000	38,400	
60MGE4-10-301P					60,000	48,000	

## Cooling Performance Extended Ratings

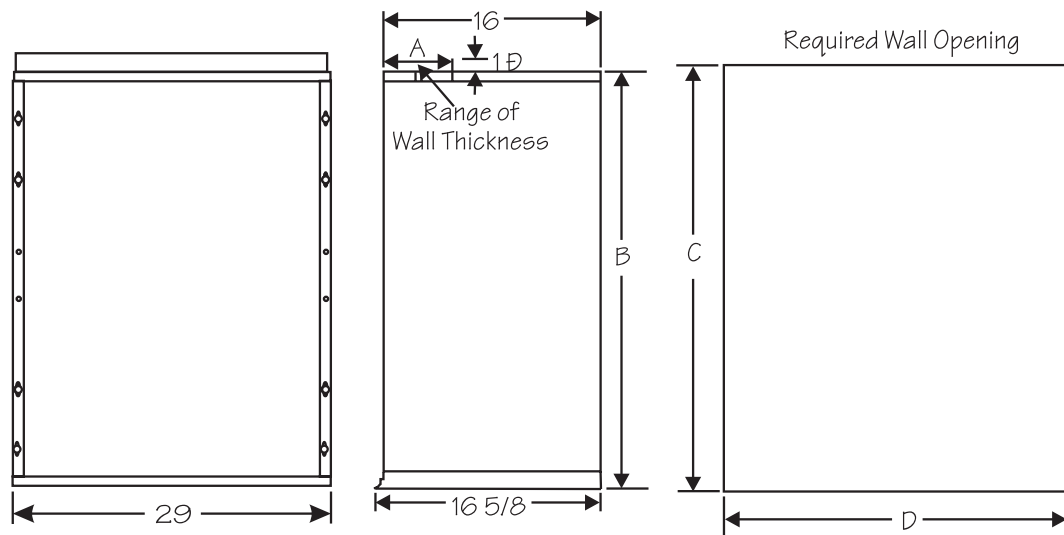
Model	Indoor Temp DB/WB °F	Outdoor Temperature - DB °F														
		65			85			95			105			115		
		Btuh	S/T	kW	Btuh	S/T	kW	Btuh	S/T	kW	Btuh	S/T	kW	Btuh	S/T	kW
MGE4-09-121P	85/72	14,000	.58	1.13	13,300	.62	1.25	12,800	.65	1.34	11,700	.70	1.45	10,600	.75	1.42
	80/67	13,400	.65	1.12	13,000	.69	1.24	12,000	.74	1.33	9,800	.75	1.38	9,000	.87	1.40
	75/63	12,800	.69	1.11	11,700	.74	1.23	10,900	.78	1.31	9,200	.86	1.36	7,600	.93	1.37
	75/57	11,700	1.00	1.10	11,100	1.00	1.21	10,700	1.00	1.30	9,300	1.00	1.36	8,000	1.00	1.37
MGE4-09-181P	85/72	22,000	.58	1.67	20,600	.62	1.86	19,400	.65	2.00	17,500	.70	2.09	15,500	.75	2.08
	80/67	20,800	.65	1.65	19,600	.70	1.83	17,600	.74	1.96	15,600	.79	2.05	13,100	.87	2.03
	75/63	19,800	.69	1.64	17,400	.75	1.80	15,500	.80	1.92	13,400	.87	2.00	11,300	.93	1.98
	75/57	18,100	1.00	1.62	16,800	1.00	1.79	15,700	1.00	1.92	13,700	1.00	2.00	11,700	1.00	1.99
MGE4-09-241P	85/72	27,000	.60	1.89	25,600	.65	2.24	24,700	.68	2.50	23,000	.72	2.76	21,400	.75	2.82
	80/67	25,700	.68	1.87	24,400	.72	2.24	22,800	.77	2.53	20,900	.81	2.71	19,300	.84	2.80
	75/63	24,400	.72	1.86	22,500	.77	2.19	21,100	.80	2.44	19,100	.85	2.70	17,100	.89	2.76
	75/57	22,400	1.00	1.83	21,200	1.00	2.20	20,300	1.00	2.48	18,700	1.00	2.71	17,200	1.00	2.74
MGE4-09-301P	85/72	34,900	.63	2.43	32,500	.68	2.82	30,600	.71	3.11	28,100	.75	3.41	25,700	.79	3.38
	80/67	32,600	.71	2.40	30,200	.76	2.75	27,600	.80	3.07	25,600	.83	3.37	22,800	.87	3.35
	75/63	30,300	.76	2.39	27,500	.80	2.76	25,300	.83	3.04	22,700	.88	3.34	20,300	.92	3.32
	75/57	28,400	1.00	2.35	26,200	1.00	2.72	24,600	1.00	3.00	22,400	1.00	3.31	20,300	1.00	3.28
MGE4-09-361P	85/72	38,400	.58	2.89	37,700	.61	3.46	37,200	.63	3.89	35,100	.67	4.32	33,100	.70	4.32
	80/67	37,100	.65	2.87	36,600	.69	3.41	35,000	.72	3.89	33,100	.74	4.28	30,000	.78	4.28
	75/63	35,800	.69	2.85	33,900	.73	3.40	32,300	.76	3.82	30,000	.79	4.20	27,600	.81	4.16
	75/57	32,300	1.00	2.81	31,700	1.00	3.38	31,200	1.00	3.81	28,900	1.00	4.21	26,700	1.00	4.19
MGE4-10-181P	85/72	20,700	.56	1.40	20,200	.60	1.58	19,800	.63	1.72	18,100	.67	1.81	16,500	.71	1.84
	80/67	20,100	.63	1.40	19,700	.67	1.57	18,000	.72	1.70	15,300	.82	1.77	13,800	.83	1.80
	75/63	19,300	.67	1.40	17,500	.72	1.57	16,100	.76	1.69	13,900	.83	1.76	11,800	.89	1.76
	75/57	17,500	1.00	1.37	16,700	1.00	1.54	16,000	1.00	1.67	14,100	1.00	1.75	12,300	1.00	1.76
MGE4-10-241P	85/72	25,400	.61	1.70	24,600	.64	1.99	24,000	.66	2.21	22,500	.70	2.43	21,100	.73	2.44
	80/67	24,700	.68	1.68	24,000	.72	1.97	23,000	.74	2.21	21,000	.79	2.39	18,600	.84	2.44
	75/63	23,200	.71	1.67	21,700	.76	1.96	20,500	.79	2.18	18,700	.83	2.40	16,800	.87	2.42
	75/57	21,500	1.00	1.65	20,900	1.00	1.94	20,500	1.00	2.17	18,500	1.00	2.38	16,600	1.00	2.39
MGE4-10-301P	85/72	32,700	.61	2.26	31,700	.66	2.62	31,000	.69	2.89	29,100	.73	3.17	27,100	.76	3.15
	80/67	31,600	.69	2.25	30,600	.74	2.58	28,800	.78	2.88	26,900	.81	3.15	23,900	.87	3.15
	75/63	30,400	.73	2.24	28,100	.78	2.59	26,400	.82	2.86	24,000	.86	3.12	21,600	.90	3.10
	75/57	27,500	1.00	2.21	26,400	1.00	2.55	25,600	1.00	2.82	23,400	1.00	3.06	21,300	1.00	3.06

## Accessories

Description	Kit Number	Where Used
Polypropylene Louver Kit (White)	ALVRPWHTMGE-1	MGE4-09 (12, 18, 24, 30) / MGE4-10 (18, 24)
Polypropylene Louver Kit (White)	ALVRPWHTMGE-2	MGE4-09-36 / MGE4-10-30
Polypropylene Louver Kit (Sandstone)	ALVRPSANMGE-1	MGE4-09 (12, 18, 24, 30) / MGE4-10 (18, 24)
Polypropylene Louver Kit (Sandstone)	ALVRPSANMGE-2	MGE4-09-36 / MGE4-10-30
Polypropylene Louver Kit (Beige)	ALVRPBGEMGE-1	MGE4-09 (12, 18, 24, 30) / MGE4-10 (18, 24)
Polypropylene Louver Kit (Beige)	ALVRPBGEMGE-2	MGE4-09-36 / MGE4-10-30
Polypropylene Louver Kit (Taupestone)	ALVRPTSTMGE-1	MGE4-09 (12, 18, 24, 30) / MGE4-10 (18, 24)
Polypropylene Louver Kit (Taupestone)	ALVRPTSTMGE-2	MGE4-09-36 / MGE4-10-30
Extruded Aluminum Louver Kit	ALVRAL-1	MGE4-09 (12, 18, 24, 30) / MGE4-10 (18, 24)
Extruded Aluminum Louver Kit	ALVRAL-2	MGE4-09-36 / MGE4-10-30
Extruded Aluminum Louver Kit (45" height louver)	ALVRAL-3	MGE4-09 (12, 18, 24, 30) / MGE4-10 (18, 24)
Extruded Aluminum Louver Kit (45" height louver)	ALVRAL-4	MGE4-09-36 / MGE4-10-30
2" Wall Sleeve Kit	ASLEEVE2-1	MGE4-09 (12, 18, 24, 30) / MGE4-10 (18, 24)
2" Wall Sleeve Kit	ASLEEVE2-2	MGE4-09-36 / MGE4-10-30
6" Wall Sleeve Kit	ASLEEVE6-1	MGE4-09 (12, 18, 24, 30) / MGE4-10 (18, 24)
6" Wall Sleeve Kit	ASLEEVE6-2	MGE4-09-36 / MGE4-10-30
6" Wall Sleeve for 45" Louver	ASLEEVE6-3	MGE4-09 (12, 18, 24, 30) / MGE4-10 (18, 24)
6" Wall Sleeve for 45" Louver	ASLEEVE6-4	MGE4-09-36 / MGE4-10-30
8" Wall Sleeve Kit	ASLEEVE8-1	MGE4-09 (12, 18, 24, 30) / MGE4-10 (18, 24)
8" Wall Sleeve Kit	ASLEEVE8-2	MGE4-09-36 / MGE4-10-30
8" Wall Sleeve for 45" Louver	ASLEEVE8-3	MGE4-09 (12, 18, 24, 30) / MGE4-10 (18, 24)
8" Wall Sleeve for 45" Louver	ASLEEVE8-4	MGE4-09-36 / MGE4-10-30
10" Wall Sleeve Kit	ASLEEVE10-1	MGE4-09 (12, 18, 24, 30) / MGE4-10 (18, 24)
10" Wall Sleeve Kit	ASLEEVE10-2	MGE4-09-36 / MGE4-10-30
10" Wall Sleeve for 45" Louver	ASLEEVE10-3	MGE4-09 (12, 18, 24, 30) / MGE4-10 (18, 24)
10" Wall Sleeve for 45" Louver	ASLEEVE10-4	MGE4-09-36 / MGE4-10-30
12" Wall Sleeve Kit	ASLEEVE12-1	MGE4-09 (12, 18, 24, 30) / MGE4-10 (18, 24)
12" Wall Sleeve Kit	ASLEEVE12-2	MGE4-09-36 / MGE4-10-30
12" Wall Sleeve for 45" Louver	ASLEEVE12-3	MGE4-09 (12, 18, 24, 30) / MGE4-10 (18, 24)
12" Wall Sleeve for 45" Louver	ASLEEVE12-4	MGE4-09-36 / MGE4-10-30
LP Conversion Kit	ALPKT612-1	All MGE's
Outdoor Coil Filter	AFILTMP-1	All MGE's
Wall Sleeve Extension Kit	ASLEEVEEXT 4-1, 4-2	A SLEEVE WALL KITS

\*Thru the wall applications only.

## Accessories Dimensions (in.)



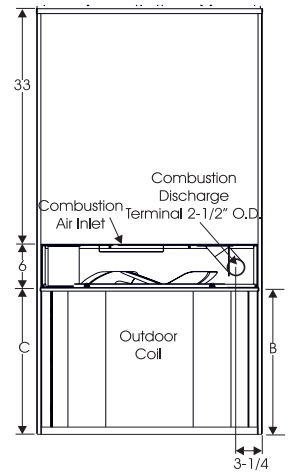
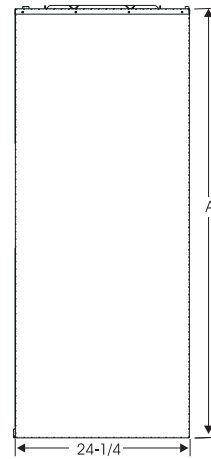
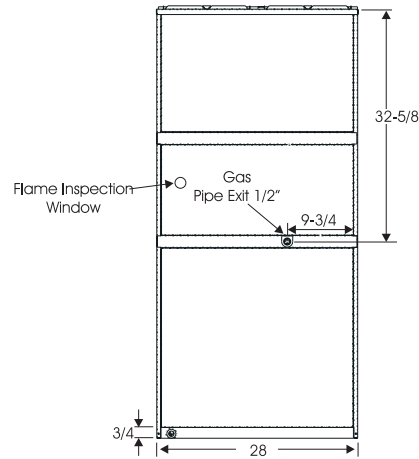
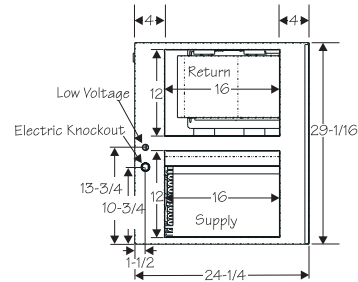
## Accessories

Kit Number	A	B	C	D
ASLEEVE2-1	2	29	29-1/8	29-1/8
ASLEEVE2-2	2	32-3/4	32-7/8	29-1/8
ASLEEVE6-1	6	29	29-1/8	29-1/8
ASLEEVE6-2	6	32-3/4	32-7/8	29-1/8
ASLEEVE6-3	6	45	45-1/8	29-1/8
ASLEEVE6-4				
ASLEEVE8-1	8	29	29-1/8	29-1/8
ASLEEVE8-2	8	32-3/4	32-7/8	29-1/8
ASLEEVE8-3	8	45	45-1/8	29-1/8
ASLEEVE8-4				
ASLEEVE10-1	10	29	29-1/8	29-1/8
ASLEEVE10-2	10	32-3/4	32-7/8	29-1/8
ASLEEVE10-3	10	45	45-1/8	29-1/8
ASLEEVE10-4				
ASLEEVE12-1	12	29	29-1/8	29-1/8
ASLEEVE12-2	12	32-3/4	32-7/8	29-1/8
ASLEEVE12-3	12	45	45-1/8	29-1/8
ASLEEVE12-4				
ASLEEVE-3	*	45	45-1/8	29-1/8

\*Thru the wall installations only.

## Dimensions (in.)

Model	A	B	C
MGE4-09-121P	57-7/8	20-1/2	18-5/8
MGE4-09-181P			
MGE4-09-241P	59-7/8	22-1/2	20-5/8
MGE4-09-301P			
MGE4-09-361P	64	26-1/2	24-3/4
MGE4-10-181P	59-7/8	22-1/2	20-5/8
MGE4-10-241P			
MGE4-10-301P	64	26-1/2	24-3/4



## Sound Ratings

Model	Sound Rating (dBA)
MGE4-09-121	72
MGE4-09-181	
MGE4-09-241	74
MGE4-09-301	76
MGE4-09-361	
MGE4-10-181	74
MGE4-10-241	74
MGE4-10-301	76



215 Metropolitan Drive  
West Columbia, SC 29170  
800-448-5872  
Product Support 866-282-7257

All specifications and illustrations  
subject to change without notice  
and without incurring obligations.