



www.Source1Parts.com

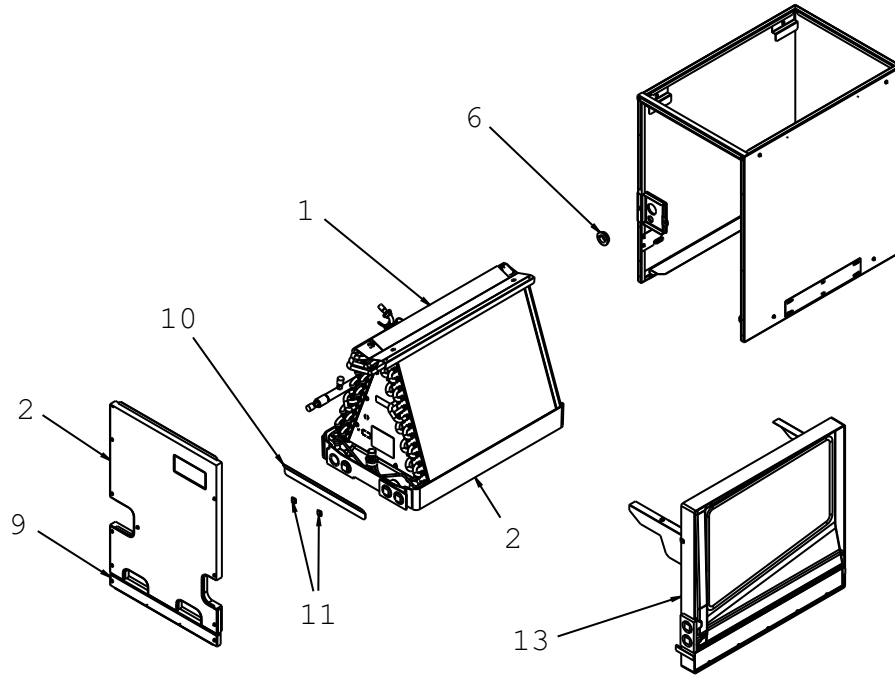
**MC SERIES  
MULTI-POSITION COIL W/HORIZONTAL PAN  
CU FLEX COIL MODELS (STYLE A)**

**HVAC SERVICE PARTS**

Supersedes: Nothing

035-23427-001 Rev. A (1112)

1 of 2



**Figure 1 : MULT-POSITION COIL W/HORIZONTAL PAN - FLEX COIL**

ITEM	DESCRIPTION	MC18A3XC1A	MC18B3XC1A	MC24A3XC1A	MC24B3XC1A
1	COIL WITH DRAIN PAN	<b>S1-37327956001</b>	<b>S1-37327956002</b>	<b>S1-37327956003</b>	<b>S1-37327956004</b>
2	PANEL ASSY, ACCESS DOOR	<b>S1-37327959014</b>	<b>S1-37327959002</b>	<b>S1-37327959027</b>	<b>S1-37327959016</b>
3	DRAIN PAN W/INSULATION	S1-37323794004	S1-37323794005	S1-37323794004	S1-37323794005
4*	HAIRPIN COVER (2 Req'd)	S1-03100205000	S1-03100205000	S1-03100207000	S1-03100207000
5*	GROMMET, 3/8"	S1-02813209000	S1-02813209000	S1-02813209000	S1-02813209000
6	GROMMET, 3/4"	S1-02813204000	S1-02813204000	S1-02813204000	S1-02813204000
7*	DISTRIBUTOR	S1-02209089000	S1-02209089000	S1-02209089000	S1-02209089000
8*	FIELD CONNECTOR	S1-02531890001	S1-02531890001	S1-02531890001	S1-02531890001
9	PANEL ASSY, BOTTOM DOOR	<b>S1-37327958001</b>	<b>S1-37327958002</b>	<b>S1-37327958001</b>	<b>S1-37327958002</b>
10	BAFFLE KIT, CONDENSATE	S1-37323890001	S1-37323890002	S1-37323890001	S1-37323890002
11	CLIP, BAFFLE (2 Req'd)	S1-02131402000	S1-02131402000	S1-02131402000	S1-02131402000
12*	LIQUID LINE	S1-02321571000	S1-02321572000	S1-02321571000	S1-02321572000
13	DRAIN PAN, HORIZONTAL	<b>S1-37327957001</b>	<b>S1-37327957004</b>	<b>S1-37327957002</b>	<b>S1-37327957003</b>

ITEM	DESCRIPTION	MC30A3XC1A	MC30B3XC1A	MC32A3XC1A	MC35B3XC1A
1	COIL WITH DRAIN PAN	<b>S1-37327956001</b>	<b>S1-37327956004</b>	<b>S1-37327956011</b>	<b>S1-37327956010</b>
2	PANEL ASSY, ACCESS DOOR	<b>S1-37327959015</b>	<b>S1-37327959016</b>	<b>S1-37327959014</b>	<b>S1-37327959029</b>
3	DRAIN PAN W/INSULATION	S1-37323794004	S1-37323794005	S1-37323899102	S1-37323794001
4*	HAIRPIN COVER (2 Req'd)	S1-03100207000	S1-03100207000	S1-03100209000	S1-03100209000
5*	GROMMET, 3/8"	S1-02813209000	S1-02813209000	S1-02813209000	S1-02813209000
6	GROMMET, 3/4"	S1-02813204000	S1-02813204000	S1-02813204000	S1-02813204000
7*	DISTRIBUTOR	S1-02209089000	S1-02209089000	S1-02209089000	S1-02209083000
8*	FIELD CONNECTOR	S1-02531890001	S1-02531890001	S1-02531890001	S1-02531890001
9	PANEL ASSY, BOTTOM DOOR	<b>S1-37327958001</b>	<b>S1-37327958002</b>	<b>S1-37327958001</b>	S1-37327958002
10	BAFFLE KIT, CONDENSATE	S1-37323890001	S1-37323890002	S1-37323890001	S1-37323890002
11	CLIP, BAFFLE (2 Req'd)	S1-02131402000	S1-02131402000	S1-02131402000	S1-02131402000
12*	LIQUID LINE	S1-02321571000	S1-02321572000	S1-02321571000	S1-02321572000
13	DRAIN PAN, HORIZONTAL	<b>S1-37327957002</b>	<b>S1-37327957003</b>	<b>S1-37327957014</b>	<b>S1-37327957008</b>

**NOTE:** \*Not Shown  
 New replacement parts shown in **bold** face type at the first printing of parts list dated 11/12  
 Major components and suggested stocking items are shown with shaded item number.  
 "<" Across from row indicates a change in that row.  
 --- Not applicable to specified model.

ITEM	DESCRIPTION	MC35C3XC1A	MC36A3XC1A	MC36B3XC1A	MC36C3XC1A	MC37A3XC1A	<
1	COIL WITH DRAIN PAN	<b>S1-37327956012</b>	<b>S1-37327956008</b>	<b>S1-37327956007</b>	<b>S1-37327956009</b>	<b>S1-37327956015</b>	
2	PANEL ASSY, ACCESS DOOR	<b>S1-37327959017</b>	<b>S1-37327959015</b>	<b>S1-37327959016</b>	<b>S1-07327959018</b>	<b>S1-07327959015</b>	
3	DRAIN PAN W/INSULATION	S1-37323794002	S1-37323794004	S1-37323794005	S1-37323794002	S1-37323899102	
4*	HAIRPIN COVER (2 Req'd)	S1-03100209000	S1-03100208000	S1-03100208000	S1-03100208000	S1-03100210000	
5*	GROMMET, 3/8"	S1-02813209000	S1-02813209000	S1-02813209000	S1-02813209000	S1-02813209000	
6	GROMMET, LARGE	S1-02813204000	S1-02813205000	S1-02813205000	S1-02813205000	S1-02813203000	
7*	DISTRIBUTOR	S1-02209083000	S1-02209089000	S1-02209089000	S1-02209087000	S1-02209090000	
8*	FIELD CONNECTOR	S1-02531890001	S1-02531890001	S1-02531890001	S1-02531890001	S1-02531890001	
9	PANEL ASSY, BOTTOM DOOR	<b>S1-37327958003</b>	<b>S1-37327958001</b>	<b>S1-37327958002</b>	<b>S1-37327958003</b>	<b>S1-37327958001</b>	
10	BAFFLE KIT, CONDENSATE	S1-37323890003	S1-37323890001	S1-37323890002	S1-37323890003	S1-37323890001	
11	CLIP, BAFFLE (2 Req'd)	S1-02131402000	S1-02131402000	S1-02131402000	S1-02131402000	S1-02131402000	
12*	LIQUID LINE	S1-02321573000	S1-02321571000	S1-02321572000	S1-02321573000	S1-02321571000	
13	DRAIN PAN, HORIZONTAL	<b>S1-37327957016</b>	<b>S1-37327957002</b>	<b>S1-37327957003</b>	<b>S1-37327957006</b>	<b>S1-37327957015</b>	

ITEM	DESCRIPTION	MC42B3XC1A	MC42C3XC1A	MC43B3XC1A	MC43C3XC1A	MC48C3XC1A	<
1	COIL WITH DRAIN PAN	<b>S1-37327956006</b>	<b>S1-37327956005</b>	<b>S1-37327956013</b>	<b>S1-37327956014</b>	<b>S1-37327956016</b>	
2	PANEL ASSY, ACCESS DOOR	<b>S1-37327959019</b>	<b>S1-37327959020</b>	<b>S1-37327959016</b>	<b>S1-37327959018</b>	<b>S1-37327959018</b>	
3	DRAIN PAN W/INSULATION	S1-37323794005	S1-37323794002	S1-37323794001	S1-37323794002	S1-37323794002	
4*	HAIRPIN COVER (2 Req'd)	S1-03109146000	S1-03109146000	S1-03100210000	S1-03100210000	S1-03100211000	
5*	GROMMET, 3/8"	S1-02813209000	S1-02813209000	S1-02813209000	S1-02813209000	S1-02813209000	
6	GROMMET, 7/8"	S1-02813205000	S1-02813205000	S1-02813205000	S1-02813205000	S1-02813205000	
7*	DISTRIBUTOR	S1-02209088000	S1-02209088000	S1-02209083000	S1-02209083000	S1-02209083000	
8*	FIELD CONNECTOR	S1-02531890001	S1-02531890001	S1-02531890001	S1-02531890001	S1-02531890001	
9	PANEL ASSY, BOTTOM DOOR	<b>S1-37327958002</b>	<b>S1-37327958003</b>	<b>S1-37327958002</b>	<b>S1-37327958003</b>	<b>S1-37327958003</b>	
10	BAFFLE KIT, CONDENSATE	S1-37323890002	S1-37323890003	S1-37323890002	S1-37323890003	S1-37323890003	
11	CLIP, BAFFLE (2 Req'd)	S1-02131402000	S1-02131402000	S1-02131402000	S1-02131402000	S1-02131402000	
12*	LIQUID LINE	S1-02321572000	S1-02321573000	S1-02321572000	S1-02321573000	S1-02321573000	
13	DRAIN PAN, HORIZONTAL	<b>S1-37327957007</b>	<b>S1-37327957005</b>	<b>S1-37327957009</b>	<b>S1-37327957011</b>	<b>S1-37327957010</b>	

ITEM	DESCRIPTION	MC48D3XC1A	MC60D3XC1A	MC62D3XC1A			<
1	COIL WITH DRAIN PAN	<b>S1-37327956017</b>	<b>S1-37327956020</b>	<b>S1-37327956018</b>			
2	PANEL ASSY, ACCESS DOOR	<b>S1-37327959021</b>	<b>S1-37327959021</b>	S1-37327902002			
3	DRAIN PAN W/INSULATION	S1-37323794003	S1-37323794003	S1-37323794003			
4*	HAIRPIN COVER (2 Req'd)	S1-03100211000	S1-03100212000	S1-03109145000			
5*	GROMMET, 3/8"	S1-02813209000	S1-02813209000	S1-02813209000			
6	GROMMET, 7/8"	S1-02813205000	S1-02813205000	S1-02813205000			
7*	DISTRIBUTOR	S1-02209084000	S1-02541001000	S1-02541001000			
8*	FIELD CONNECTOR	S1-02531890001	S1-02531890001	S1-02531890001			
9	PANEL ASSY, BOTTOM DOOR	S1-37327902001	S1-37327902001	S1-37327902001			
10	BAFFLE KIT, CONDENSATE	S1-37323890004	S1-37323890004	S1-37323890004			
11	CLIP, BAFFLE (2 Req'd)	S1-02131402000	S1-02131402000	S1-02131402000			
12*	LIQUID LINE	S1-02321574000	S1-02322442000	S1-02321574000			
13	DRAIN PAN, HORIZONTAL	<b>S1-37327957013</b>	<b>S1-37327957013</b>	<b>S1-37327957012</b>			

**NOTE:** \*Not ShownNew replacement parts shown in **bold** face type at the first printing of parts list dated 11/12

Major components and suggested stocking items are shown with shaded item number.

"←" Across from row indicates a change in that row.

--- Not applicable to specified model.

**TO ORDER AUTHORIZED FACTORY REPLACEMENT PARTS** - Contact your Source1 HVAC Parts Distributor or visit our website at [www.Source1Parts.com](http://www.Source1Parts.com) for a Distributor and Dealer listing.