



www.Source1Parts.com

FC SERIES FULL CASED COILS CU FLEX COIL MODELS (STYLE A)

HVAC SERVICE PARTS

Supersedes: Nothing

035-23425-001 Rev. A (1112)

1 of 2

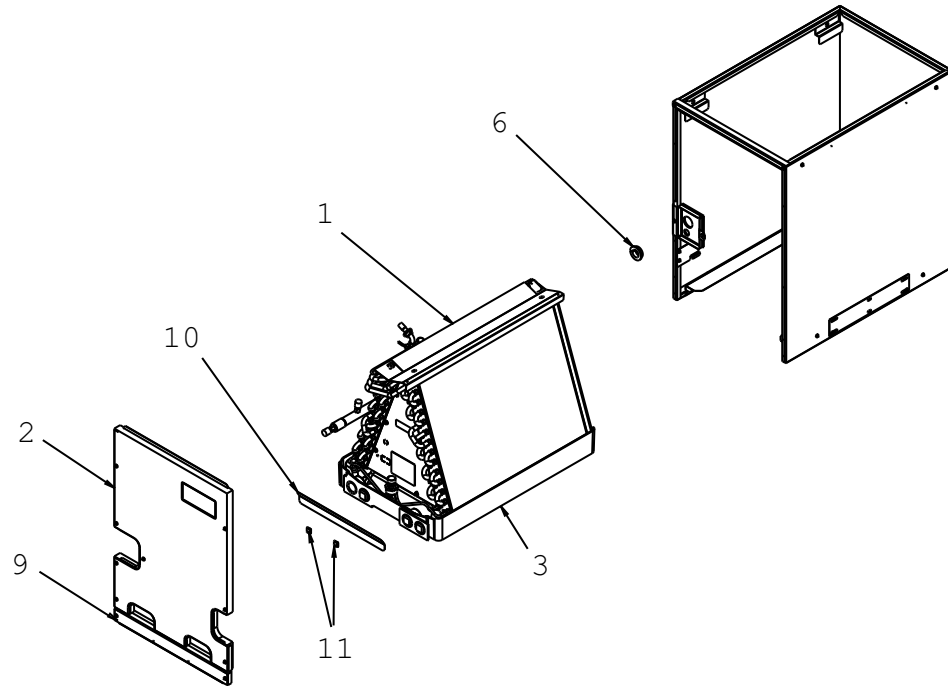


Figure 1 : FULL CASED COIL - FLEX COIL

ITEM	DESCRIPTION	FC18A3XC1A	FC18B3XC1A	FC24A3XC1A	FC24B3XC1A
1	COIL WITH DRAIN PAN	S1-37327956001	S1-37327956002	S1-37327956003	S1-37327956004
2	PANEL ASSY, ACCESS DOOR	S1-37327959001	S1-37327959002	S1-37327959027	S1-37327959028
3	DRAIN PAN W/INSULATION	S1-37323794004	S1-37323794005	S1-37323794004	S1-37323794005
4*	HAIRPIN COVER (2 Req'd)	S1-03100205000	S1-03100205000	S1-03100207000	S1-03100207000
5*	GROMMET, 3/8"	S1-02813209000	S1-02813209000	S1-02813209000	S1-02813209000
6	GROMMET, 3/4"	S1-02813204000	S1-02813204000	S1-02813204000	S1-02813204000
7*	DISTRIBUTOR	S1-02209089000	S1-02209089000	S1-02209089000	S1-02209089000
8*	FIELD CONNECTOR	S1-02531890001	S1-02531890001	S1-02531890001	S1-02531890001
9	PANEL ASSY, BOTTOM DOOR	S1-37327958001	S1-37327958002	S1-37327958001	S1-37327958002
10	BAFFLE KIT, CONDENSATE	S1-37323890001	S1-37323890002	S1-37323890001	S1-37323890002
11	CLIP, BAFFLE (2 Req'd)	S1-02131402000	S1-02131402000	S1-02131402000	S1-02131402000
12*	LIQUID LINE	S1-02321571000	S1-02321572000	S1-02321571000	S1-02321572000

ITEM	DESCRIPTION	FC30A3XC1A	FC30B3XC1A	FC32A3XC1A	FC35B3XC1A
1	COIL WITH DRAIN PAN	S1-37327956003	S1-37327956004	S1-37327956011	S1-37327956010
2	PANEL ASSY, ACCESS DOOR	S1-37327959027	S1-37327959028	S1-37327959003	S1-37327959004
3	DRAIN PAN W/INSULATION	S1-37323794004	S1-37323794005	S1-37323899102	S1-37323794001
4*	HAIRPIN COVER (2 Req'd)	S1-03100207000	S1-03100207000	S1-03100209000	S1-03100209000
5*	GROMMET, 3/8"	S1-02813209000	S1-02813209000	S1-02813209000	S1-02813209000
6	GROMMET, 3/4"	S1-02813204000	S1-02813204000	S1-02813204000	S1-02813204000
7*	DISTRIBUTOR	S1-02209089000	S1-02209089000	S1-02209090000	S1-02209083000
8*	FIELD CONNECTOR	S1-02531890001	S1-02531890001	S1-02531890001	S1-02531890001
9	PANEL ASSY, BOTTOM DOOR	S1-37327958001	S1-37327958002	S1-37327958001	S1-37327958002
10	BAFFLE KIT, CONDENSATE	S1-37323890001	S1-37323890002	S1-37323890001	S1-37323890002
11	CLIP, BAFFLE (2 Req'd)	S1-02131402000	S1-02131402000	S1-02131402000	S1-02131402000
12*	LIQUID LINE	S1-02321571000	S1-02321572000	S1-02321571000	S1-02321572000

NOTE: *Not Shown

New replacement parts shown in **bold** face type at the first printing of parts list dated 11/12.

Major components and suggested stocking items are shown with shaded item number.

"<" Across from row indicates a change in that row.

--- Not applicable to specified model.

ITEM	DESCRIPTION	FC35C3XC1A	FC36A3XC1A	FC36B3XC1A	FC36C3XC1A
1	COIL WITH DRAIN PAN	S1-37327956012	S1-37327956008	S1-37327956007	S1-37327956009
2	PANEL ASSY, ACCESS DOOR	S1-37327959005	S1-37327959006	S1-37327959007	S1-37327959008
3	DRAIN PAN W/INSULATION	S1-37323794002	S1-37323794004	S1-37323794005	S1-37323794002
4*	HAIRPIN COVER (2 Req'd)	S1-03100209000	S1-03100208000	S1-03100208000	S1-03100208000
5*	GROMMET, 3/8"	S1-02813209000	S1-02813209000	S1-02813209000	S1-02813209000
6	GROMMET, LARGE	S1-02813204000	S1-02813205000	S1-02813205000	S1-02813205000
7*	DISTRIBUTOR	S1-02209083000	S1-02209089000	S1-02209089000	S1-02209087000
8*	FIELD CONNECTOR	S1-02531890001	S1-02531890001	S1-02531890001	S1-02531890001
9	PANEL ASSY, BOTTOM DOOR	S1-37327958003	S1-37327958001	S1-37327958002	S1-37327958003
10	BAFFLE KIT, CONDENSATE	S1-37323890003	S1-37323890001	S1-37323890002	S1-37323890003
11	CLIP, BAFFLE (2 Req'd)	S1-02131402000	S1-02131402000	S1-02131402000	S1-02131402000
12*	LIQUID LINE	S1-02321573000	S1-02321571000	S1-02321572000	S1-02321573000

ITEM	DESCRIPTION	FC37A3XC1A	FC42B3XC1A	FC42C3XC1A	FC43B3XC1A
1	COIL WITH DRAIN PAN	S1-37327956015	S1-37327956006	S1-37327956005	S1-37327956013
2	PANEL ASSY, ACCESS DOOR	S1-37327959006	S1-37327959009	S1-37327959010	S1-37327959007
3	DRAIN PAN W/INSULATION	S1-37323899102	S1-37323794005	S1-37323794002	S1-37323794001
4*	HAIRPIN COVER (2 Req'd)	S1-03100210000	S1-03109146000	S1-03109146000	S1-03100210000
5*	GROMMET, 3/8"	S1-02813209000	S1-02813209000	S1-02813209000	S1-02813209000
6	GROMMET, LARGE	S1-02813203000	S1-02813205000	S1-02813205000	S1-02813205000
7*	DISTRIBUTOR	S1-02209090000	S1-02209088000	S1-02209088000	S1-02209083000
8*	FIELD CONNECTOR	S1-02531890001	S1-02531890001	S1-02531890001	S1-02531890001
9	PANEL ASSY, BOTTOM DOOR	S1-37327958001	S1-37327958002	S1-37327958003	S1-37327958002
10	BAFFLE KIT, CONDENSATE	S1-37323890001	S1-37323890002	S1-37323890003	S1-37323890002
11	CLIP, BAFFLE (2 Req'd)	S1-02131402000	S1-02131402000	S1-02131402000	S1-02131402000
12*	LIQUID LINE	S1-02321571000	S1-02321572000	S1-02321573000	S1-02321572000

ITEM	DESCRIPTION	FC43C3XC1A	FC48C3XC1A	FC48D3XC1A	FC60C3XC1A
1	COIL WITH DRAIN PAN	S1-37327956014	S1-37327956016	S1-37327956017	S1-37327956019
2	PANEL ASSY, ACCESS DOOR	S1-37327959008	S1-37327959010	S1-37327959011	S1-37327959010
3	DRAIN PAN W/INSULATION	S1-37323794002	S1-37323794002	S1-37323794003	S1-37323794002
4*	HAIRPIN COVER (2 Req'd)	S1-03100210000	S1-03100211000	S1-03100211000	S1-03100212000
5*	GROMMET, 3/8"	S1-02813209000	S1-02813209000	S1-02813209000	S1-02813209000
6	GROMMET, 7/8"	S1-02813205000	S1-02813205000	S1-02813205000	S1-02813205000
7*	DISTRIBUTOR	S1-02209083000	S1-02209083000	S1-02209084000	S1-02541001000
8*	FIELD CONNECTOR	S1-02531890001	S1-02531890001	S1-02531890001	S1-02531890001
9	PANEL ASSY, BOTTOM DOOR	S1-37327958003	S1-37327958003	S1-37327902001	S1-37327958003
10	BAFFLE KIT, CONDENSATE	S1-37323890003	S1-37323890003	S1-37323890004	S1-37323890003
11	CLIP, BAFFLE (2 Req'd)	S1-02131402000	S1-02131402000	S1-02131402000	S1-02131402000
12*	LIQUID LINE	S1-02321573000	S1-02321573000	S1-02321574000	S1-02321573000

ITEM	DESCRIPTION	FC60D3XC1A	FC62D3XC1A	FC64D3XC1A	
1	COIL WITH DRAIN PAN	S1-37327956020	S1-37327956018	S1-37327956021	
2	PANEL ASSY, ACCESS DOOR	S1-37327959011	S1-37327959012	S1-37327959013	
3	DRAIN PAN W/INSULATION	S1-37323794003	S1-37323794003	S1-37323794003	
4*	HAIRPIN COVER (2 Req'd)	S1-03100212000	S1-03109145000	S1-03100209000	
5*	GROMMET, 3/8"	S1-02813209000	S1-02813209000	S1-02813209000	
6	GROMMET, 7/8"	S1-02813205000	S1-02813205000	S1-02813205000	
7*	DISTRIBUTOR	S1-02541001000	S1-02541001000	S1-02541001000	
8*	FIELD CONNECTOR	S1-02531890001	S1-02531890001	S1-02531890001	
9	PANEL ASSY, BOTTOM DOOR	S1-37327902001	S1-37327902001	S1-37327902001	
10	BAFFLE KIT, CONDENSATE	S1-37323890004	S1-37323890004	S1-37323890004	
11	CLIP, BAFFLE (2 Req'd)	S1-02131402000	S1-02131402000	S1-02131402000	
12*	LIQUID LINE	S1-02321574000	S1-02321574000	S1-02321574000	

NOTE: *Not Shown
 New replacement parts shown in **bold** face type at the first printing of parts list dated 11/12
 Major components and suggested stocking items are shown with shaded item number.
 "<" Across from row indicates a change in that row.
 --- Not applicable to specified model.

TO ORDER AUTHORIZED FACTORY REPLACEMENT PARTS - Contact your Source1 HVAC Parts Distributor or visit our website at www.Source1Parts.com for a Distributor and Dealer listing.

Subject to change without notice. Published in U.S.A.
 Copyright © 2012 by Johnson Controls, Inc. All rights reserved.

035-23425-001 Rev. A (1112)
 Supersedes: Nothing

York International Corp.
 5005 York Drive
 Norman, OK 73069