



BERMUDA

GAS-FIRED STEAM BOILER

Designed for reliability, efficiency and performance. For residential and small commercial applications with approved chimney.

Series BSI - Bermuda Features

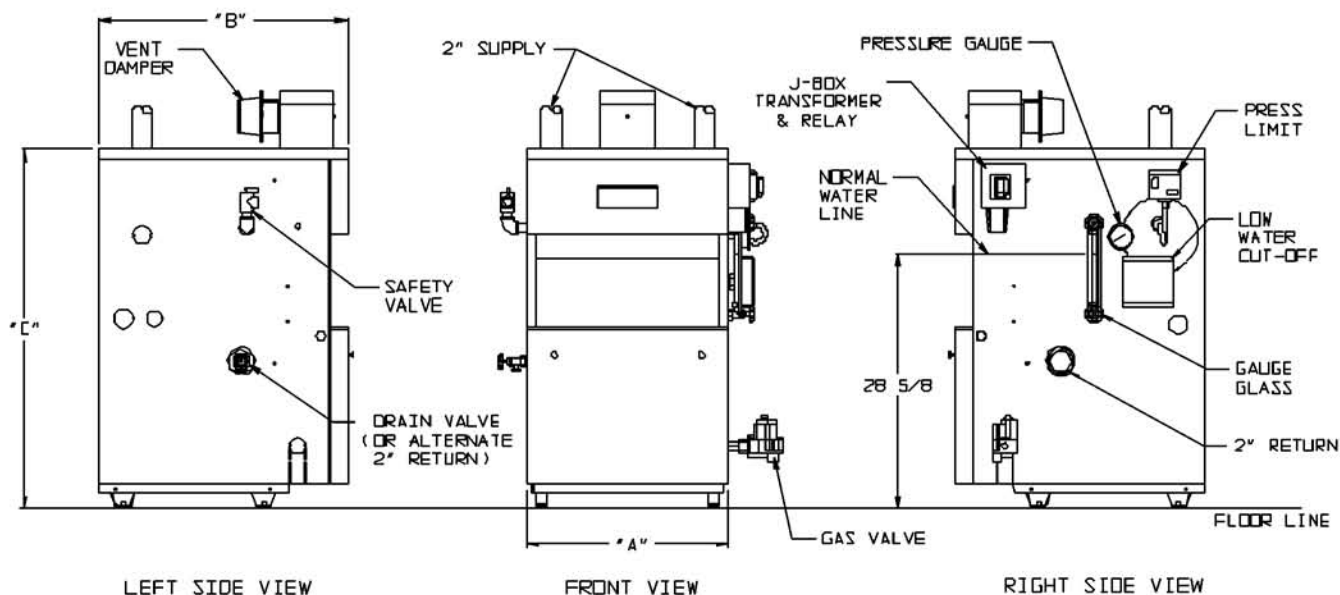
- ✓ **CAST IRON HEAT EXCHANGER**
- ✓ **STAINLESS STEEL BURNERS**
- ✓ **BUILT-IN DRAFT DIVERTER TO FIT LOW SPACES**
- ✓ **AUTOMATIC VENT DAMPER INCLUDED ***
- ✓ **ATTRACTIVE, RUGGED JACKET**
- ✓ **FULLY ASSEMBLED OR AVAILABLE AS KNOCK-DOWN PACKAGE**
- ✓ **TEN SIZES FROM 69,000 TO 379,000 BTU**
- ✓ **DESIGNED FOR INSTALLATION ON COMBUSTIBLE FLOORS**

* BS1069 THROUGH BS1276



Constructed and tested
in accordance with
ASME Section IV

SERIES BSI - BERMUDA TECHNICAL INFORMATION



MODEL NUMBER	NO. OF SECTIONS	NATURAL OR LP GAS *						WATER CONTENT (GALS.)***	SHIPPING WEIGHT (APPROX.)	DIMENSION (INCHES)			FLUE COLLAR DIAMETER (INCHES)
		INPUT (BTU/HR)	D.O.E HEATING CAPACITY (BTU/HR)	IBR NET RATING STEAM (BTU/HR)	IBR NET RATING STEAM SQ. FT.	AFUE % STANDING PILOT	AFUE % ELECTRONIC IGNITION			A	B	C	
BSI069	3	69	57,000	43,000	179	80.0	81.9	5.1	365	12 - 3/4	28	40 - 7/16	4
BSI103	4	103	85,000	64,000	267	80.0	82.0	6.5	432	16	28	40 - 7/16	5
BSI138	5	138	113,000	85,000	354	80.0	82.0	7.9	504	19 - 1/4	28	40 - 7/16	6
BSI172	6	172	142,000	107,000	446	80.3	82.1	9.3	589	22 - 1/2	28	40 - 7/16	6
BSI207	7	207	171,000	128,000	533	80.3	82.1	10.7	669	25 - 3/4	30	40 - 7/16	7
BSI241	8	241	199,000	149,000	621	80.6	82.2	12.1	745	29	30	40 - 7/16	7
BSI276	9	276	227,000	170,000	708	80.9	82.2	13.5	826	32 - 1/4	30	40 - 7/16	8
BSI310	10	310	255,000	192,000	800	81.5**		14.9	957	35 - 1/2	30	45 - 7/16	8
BSI345	11	345	284,000	214,000	892	81.6**		16.3	1044	38 - 3/4	30	45 - 7/16	9
BSI379	12	379	312,000	235,000	979	81.6**		17.7	1125	42	30	45 - 7/16	9

* BSI345 and BSI379 not available for use with LP gas.

** Combustion efficiency

*** Volume to normal water line

1. ALTITUDES ABOVE 2,000 FT. - RATINGS SHOULD BE REDUCED AT A RATE OF 4% FOR EACH 1,000 FT. ABOVE SEA LEVEL (USA ONLY)

2. BSI345 AND BSI379 NOT AVAILABLE FOR ELEVATIONS ABOVE 2,000 FT.

3. SPECIFICATIONS AND DIMENSIONS ARE SUBJECT TO CHANGE WITHOUT NOTICE.

All residential cast iron boilers include a full one year warranty. A 12 year limited warranty is provided for the cast iron heat exchanger. A 5 year and a 10 year extended warranty covering parts and labor are also available. Visit CrownBoiler.com for complete details.

ADDITIONAL FEATURES / BENEFITS

- Available in standing pilot or electronic ignition
- Available with natural or LP gas
- Probe low water cut-off standard; option of float low water cut-off or low water cut-off / feeder combo.
- Isolation relay simplifies thermostat wiring
- Redundant gas valve
- Roll-out switch; spill switch
- Glass gauge set



CrownBoiler.com
PHILADELPHIA, PA